

Vandal Resistant Switch $\Phi 12\text{mm}$

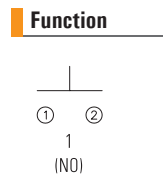


- Anti-Vandal IK09/ Sealed IP65
- 1,000,000 Cycles Momentary
- Variety Of Colors

Order Code

Series	Actuator Options	Terminal	Function	Body Material	Actuator Color
<input type="checkbox"/> V12	<input type="checkbox"/> B- Round	<input type="checkbox"/> P- Pin (2.0x0.5) Screw no letter	<input type="checkbox"/> Momentary no letter 1- NO	<input type="checkbox"/> S- Stainless Steel <input type="checkbox"/> N- Nickel plated brass <input type="checkbox"/> A- Zn- Al Alloy <input type="checkbox"/> Black	<input type="checkbox"/> BK- Black <input type="checkbox"/> W- White <input type="checkbox"/> Y- Yellow <input type="checkbox"/> B- Blue <input type="checkbox"/> G- Green <input type="checkbox"/> R- Red

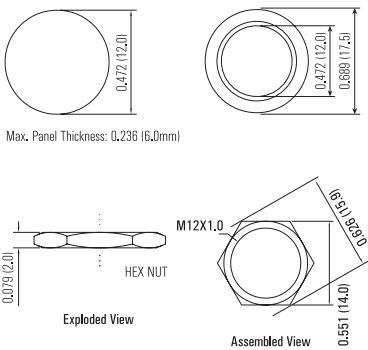
11 The Actuator color only Zn-Al alloy material available



Technical Data

Type	V12-B/S	V12-B/N	V12-B/A
Illuminated Options	Non-illuminated		
Front Shape	Round		
Terminal	Screw/ Pin (2.0X0.5)		
Max. Switch Rating	2A 48VDC		
Contact Resistance	$\leq 50\text{m}\Omega$		
Insulation Resistance	$\geq 1000\text{m}\Omega$		
Dielectric Strength	2000VAC		
Operation Temp.	$-20^{\circ}\text{C} \sim +55^{\circ}\text{C}$		
Mechanical Life	1,000,000 Cycles		
Electrical Life	200,000 Cycles		
Contact Material	Silver Alloy		
Torque	5 ~ 14Nm		
Operation Pressure	approx. 5N		
Protection	IP65/ IK08		
Material			
Actuator	Stainless Steel/ Brass/ PBT		
Body	Stainless Steel/ Brass/ Zn-Al Alloy		
Base	PBT		
Color	R G Y O B W BK		
Actuator(Zn-Al.alloy)			

Suggested Panel Cutout



Dimension

