

BIG Current Anti vandal switch $\Phi 19\text{mm}$



Big range current:

3A 5A 8A 10A (15A)16A 20A(21A)

Snap action, compact design, suit for small space

Variety Of Colors

Anti-Vandal IK09/ Sealed IP65

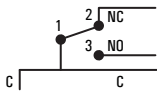
Illuminated and Non-Illuminated

Order Code

Series	Actuator Options	Terminal	Function	Current Voltage	Material Finish	Illuminated Options	Color	Color Voltage	Marking Current
L19B	F- Flat blank	6.35X0.8(#250) quick connect terminal (T=0.8) blank	M- Momentary 1 1NO (SPST) 2 1NC (SPST) 3 1NO1NC (SPDT) Z- Latching 1 1NO (SPST) 2 1NC (SPST) 3 1NO1NC (SPDT)	O2- 2.5A O3- 3A O5- 5A O8- 8A O10- 10A O16- 16A O21- 21A O6- 0.6A/ 125VDC O3- 0.3A/ 250VDC	S- Stainless Steel	D- Dot R- Ring Non-Illuminated blank	W- White Y- Yellow B- Blue G- Green R- Red O- Orange	6V 12V 24V 36V 110V 230V	Custom Markings Available



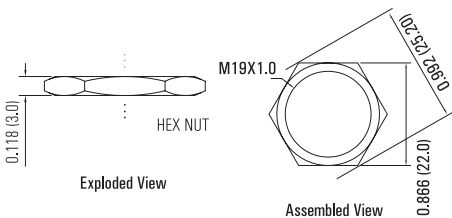
Operation



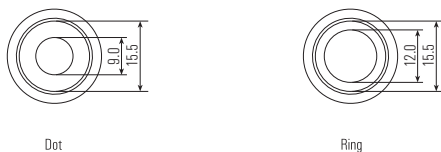
Suggested Panel Cutout



Max. Panel Thickness: 0.394 (10.0)



Illuminated



Technical Data

Type	L19B-F	L19B-F/R	L19B-F/D
Illuminated Options	Non-Illuminated	Ring	Dot
Terminal	PIN (6.35X0.8)		
Max. Switch Rating	3A 5A 8A 10A 15A(16A) 20A(21A)/ 250VAC, 125VAC 0.6A/ 125VDC 0.3A/ 250VDC		
Contact Resistance	$\leq 25\text{m}\Omega$		
Insulation Resistance	$\geq 100\text{m}\Omega$		
Dielectric Strength	Between non-consecutive terminals 1,000Vrms, 50/60Hz for 1min Between non-current carrying metal parts and each terminal 1,500Vrms, 50/60Hz for 1min Between ground and each terminal 1,500Vrms, 50/60Hz for 1min		
Shock resistance	Destruction: O.F.>0.5N: 1000m/s ² (approx. 100g), O.F. \leq 0.5N: 400m/s ² (approx. 40g) Malfunction: O.F.>0.5N: 200m/s ² (approx. 20g), O.F. \leq 0.5N: 100m/s ² (approx. 10g)		
Vibration Resistance	10 - 50Hz, 1.5mm Double Amplitude		
Ambient Temp.	-25 C ~ +85 C		
Mechanical Life	2,000,000cycles		
Electrical Life	50,000cycles		
Contact Material	Silver Alloy		
Torque	5 ~ 14Nm		
Operation Pressure	10N		
Protection	IP65/ IK09		
Material			
Actuator	Stainless Steel		
Body	Stainless Steel		
Color			
Type	LED		
Voltage	6V/ 12V/ 24V/ 36V/ 110V/ 230V		
Color	R G Y O B W		
Life	Approx. 40, 000hours		

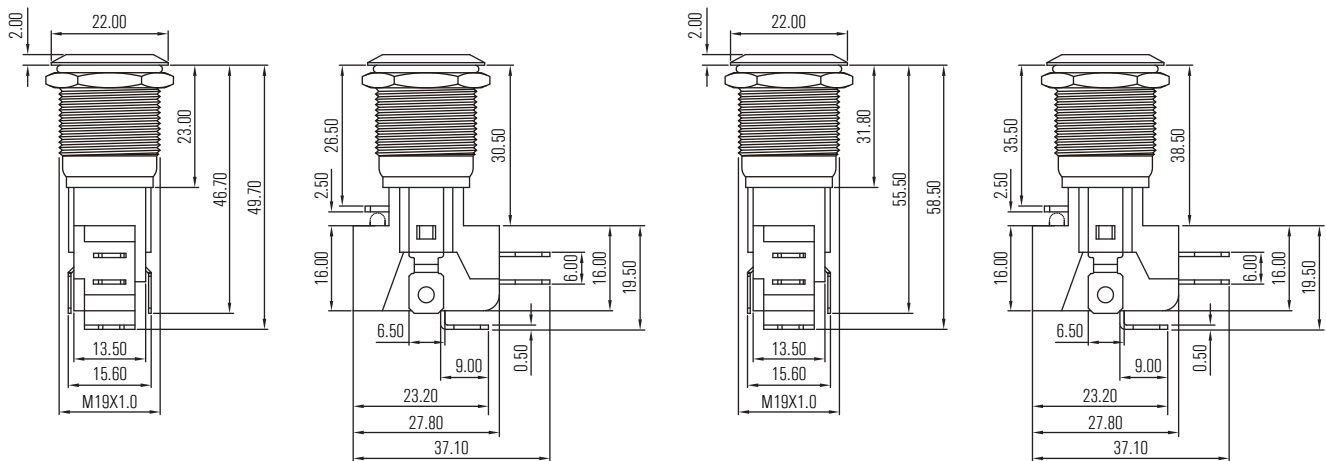
Terminal

端子种类 Terminal types	快接端子#250(t=0.8) Quick-connect terminal #187	端子尺寸 Dimensions
下公共端 Bottom common terminal		

Contact type

公共端类型 Common terminal types	转换式 SPDT	常闭式 SPST-NC	常开式 SPST-NO
公共端在底部 Bottom common terminal			

Dimension



MOMENTARY

LATCHING