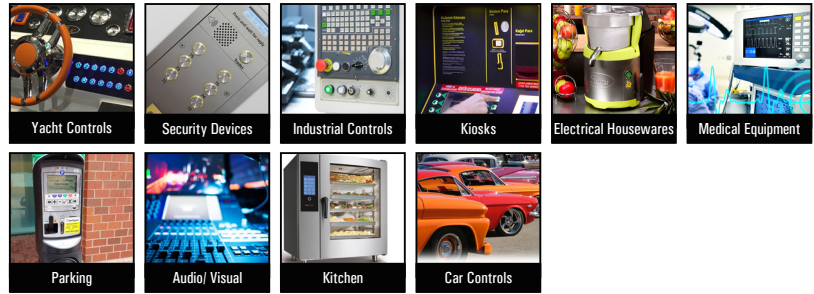


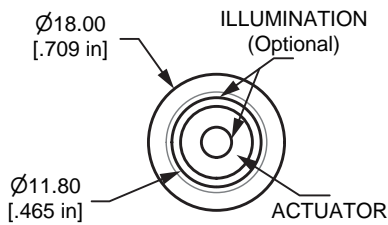
Anti vandal switch $\varnothing 16\text{mm}$



APPLICATIONS / MARKETS



DESCRIPTION



ORDER CODE

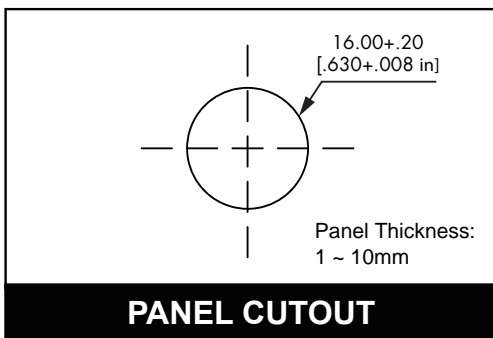
Series	Actuator Options	Terminal Options	Function Options	Material Options	Illumination Style Options	Led-Color Options	Illumination Voltage Options	Graphic Options
□	□	□	□	□	□	□	□	□
Ls16	F- Flat	NONE- Solder-lug (2.8x0.5)	M- Momentary 1- 1NO	S- Stainless steel N- Nickel plated brass A- Anodized aluminum	D- Dot illum. R- Ring illum. NONE- non-illum.	W- White Y- Yellow B- Blue G- Green R- Red O- Orange	NONE- Base voltage* 3.3V 6V 12V 24V 36V	NONE- Non-marking LE- Laser etched

NOTES:
 * Base voltage on LEDs:
 1.8V @ 20mA for Red, Yellow and Orange LED colors
 2.8V @ 20mA for Blue, Green and White LED colors

TECHNICAL DATA

Type	Ls16-F	Ls16-F-R	Ls16-F-D
Illuminated Options	Non-Illuminated	Ring Illuminated	Dot Illuminated
Terminal	Solder lug (2.8X0.5)		
Max. Switch Rating	2A 36VDC		
Contact Resistance	$\leq 50\text{m}\Omega$		
Insulation Resistance	$\geq 1000\text{m}\Omega$		
Dielectric Strength	2000VAC		
Operation Temp	$-20^\circ\text{C} \sim +55^\circ\text{C}$		
Mechanical Life	1,000,000 Cycles		
Electrical Life	200,000 Cycles		
Contact Material	Silver Alloy		
Torque	5 ~ 14Nm		
Operation Pressure	approx. 3 ~ 5N		
Protection	IP65/ IK08		
Material			
Actuator	Stainless Steel/ Nickel Plated Brass/ Anodized Aluminum		
Body	Stainless Steel/ Nickel Plated Brass/ Anodized Aluminum		
Base	PBT		
Color	LED 3.3V/ 6V/ 12V/ 24V/ 36V/ 110V/ 220V R G Y O B W Approx, 40,000 hours		

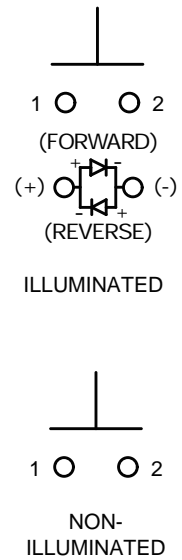
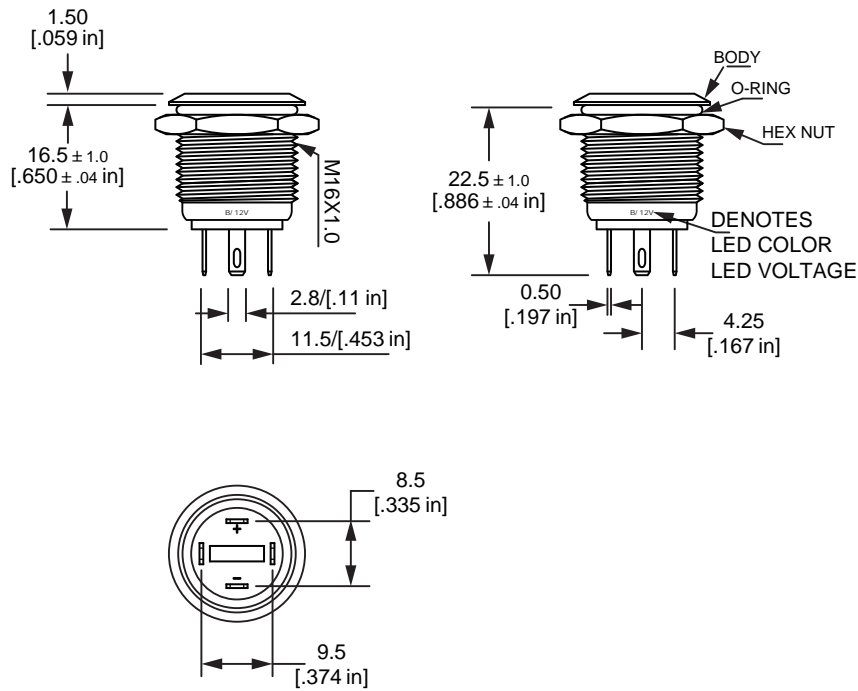
PANEL CUTOUT



Current-limiting Resistance Configuration Table	Operating Voltage(U)				Formula
	6V	12V	24V	36V	
Current-limiting Resistance(R)	R Y O	210 Ω , 1/4W	510 Ω , 1/2W	1.2k Ω , 3/4W	$R = \frac{U-U_e}{I_e}$
	G B W	180 Ω , 1/4W	460 Ω , 1/2W	1.2k Ω , 3/4W	

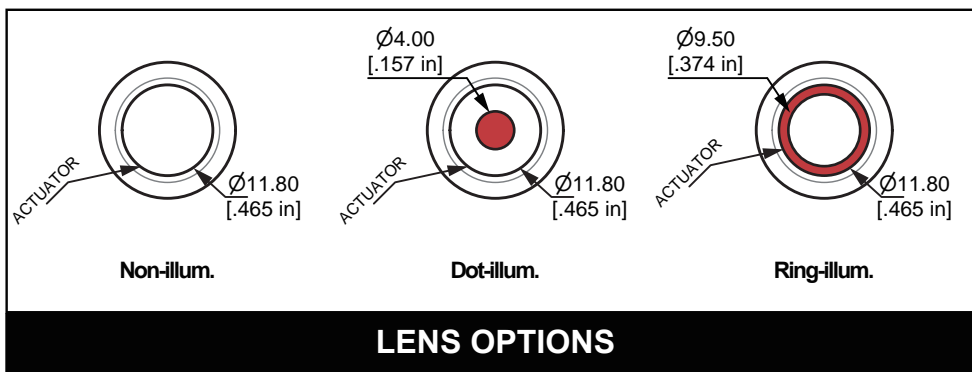
Anti vandal switch $\varnothing 16\text{mm}$

DIMENSIONS



FUNCTIONS

ILLUM. OPTIONS



LENS OPTIONS