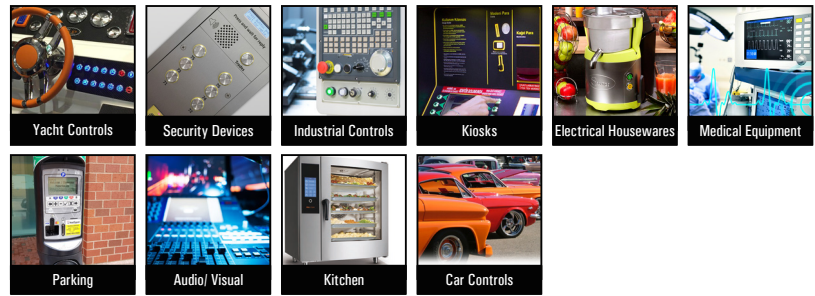


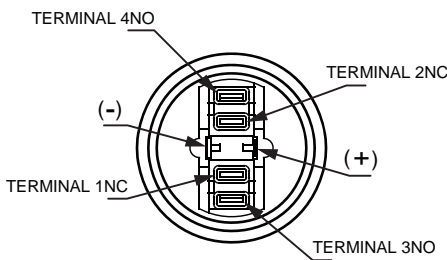
# Anti vandal switch $\varnothing 22\text{mm}$



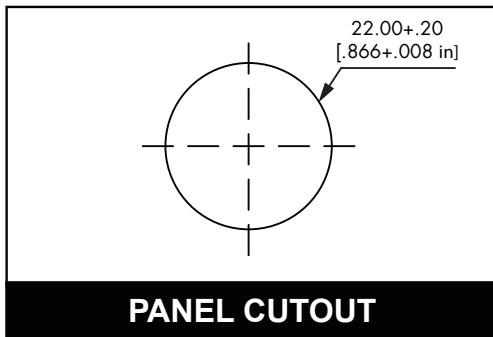
## APPLICATIONS / MARKETS



## DESCRIPTION



Terminals (-) and (+) used with Illum. option only



Panel Thickness:  
1-12mm for Alternated  
1-10mm for Momentary

## ORDER CODE

Series	Actuator Options	Terminal Options	Function Options	Material Options	Illumination Style Options	Led-Color Options	Illumination Voltage Options	Graphic Options
L22	F: Flat	NONE- Solder-lug (2.8x0.5)	M- Momentary 1- 1ND1NC Z- Alternated 1- 1ND1NC	S- Stainless steel A- Anodized aluminum*	D- Dot illum. R- Ring illum. NONE- non-illum.	W- White Y- Yellow B- Blue G- Green R- Red O- Orange	NONE- Base Voltage** 3.3V 6V 12V 24V 36V 110V 220V	NONE- Non-marking LE- Laser etched

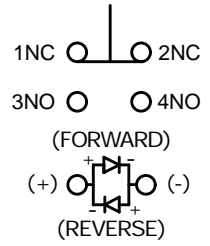
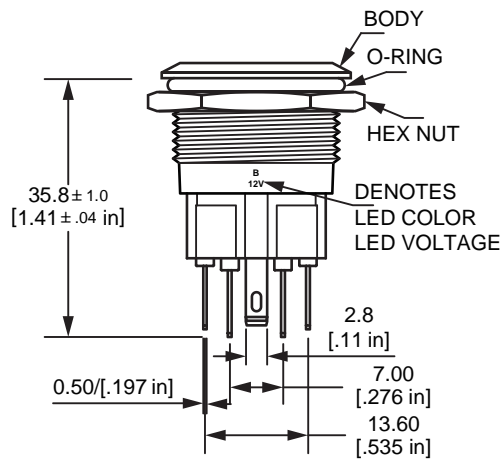
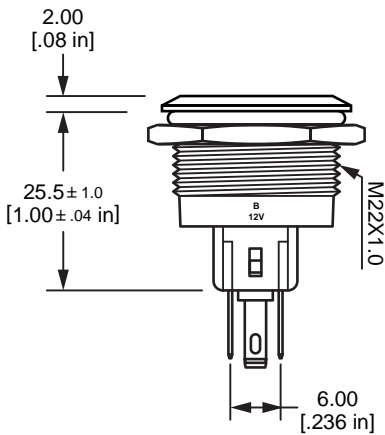
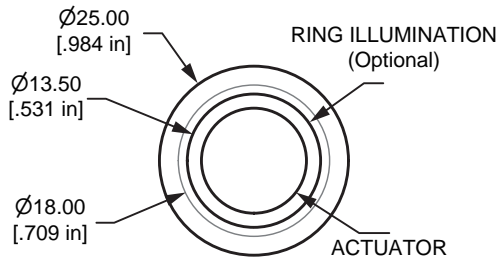
NOTES:  
\* Anodized aluminum: variety of colors(MOO 500pcs/color), standard for black anodized  
\*\* Base voltage on LEDs:  
1.8V @ 20mA for Red, Yellow and Orange LED colors  
2.8V @ 20mA for Blue, Green and White LED colors

## TECHNICAL DATA

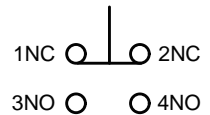
Type	L22-F	L22-F-R	L22-F-D
Illuminated Options	Non-Illuminated	Ring Illuminated	Dot Illuminated
Terminal	Solder lug (2.8X0.5)		
Max. Switch Rating	Ith: 5A Ui: 250VAC		
Contact Resistance	≤50mΩ		
Insulation Resistance	≥1000mΩ		
Dielectric Strength	2000VAC		
Operation Temp	-20°C ~ +55°C		
Mechanical Life	1,000,000 Cycles		
Electrical Life	>50,000 Cycles		
Contact Material	Silver Alloy		
Torque	5 ~ 14Nm		
Operation Pressure	approx. 8N		
Protection	IP65/ IK10		
Material			
Actuator	Stainless Steel/ *Anodized Aluminum		
Body	Stainless Steel/ *Anodized Aluminum		
Base	PA		
LED			
Color	3.3V/ 6V/ 12V/ 24V/ 36V/ 110V/ 220V R G Y O B W		
	Approx, 40,000 hours		

# Anti vandal switch $\phi 22\text{mm}$

## MOMENTARY



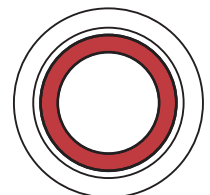
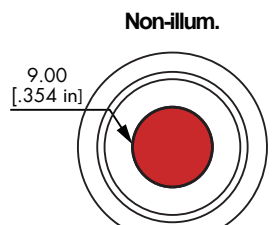
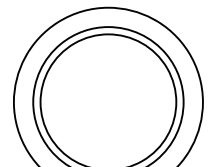
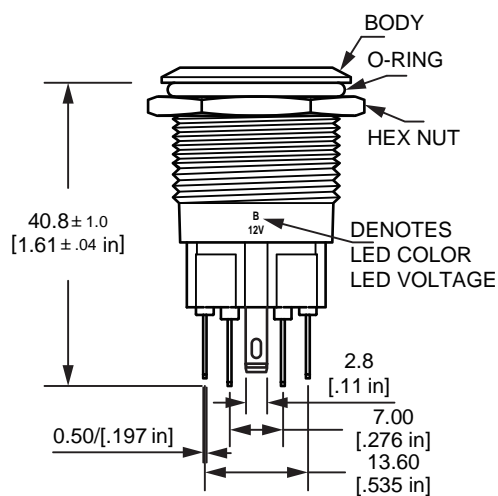
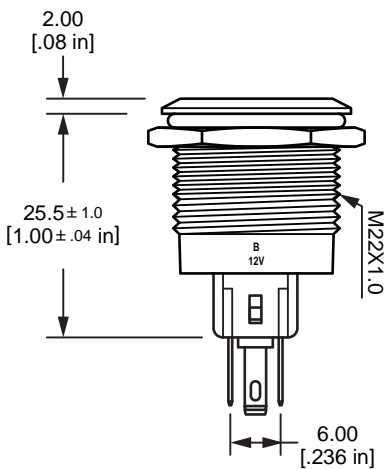
CONTACT CONFIGURATION ILLUMINATED



CONTACT CONFIGURATION NON-ILLUMINATED

## FUNCTIONS

## ALTERNATED



## LENS OPTIONS